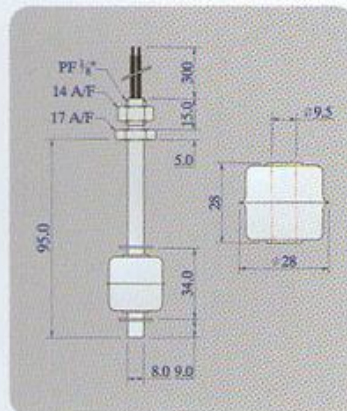
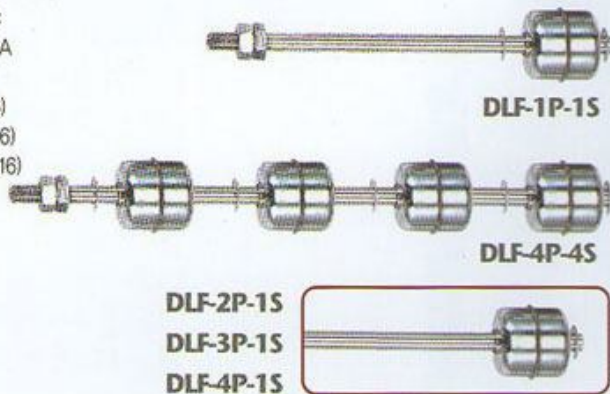


DLF-□P-□S

- CONTACT TYPE : SPST (REED SWITCH)
- PROCESS TEMP. : -40°C to 100°C
- CONTACT RATING : AC 220V / 1A
- MATERIAL
 - STEM : Stainless Steel (304, 316)
 - FLOAT : Stainless Steel (304, 316)
 - E-RING : Stainless Steel (304, 316)
- DIMENSION
 - FLOAT : $\phi 28$
 - STEM : $\phi 8$

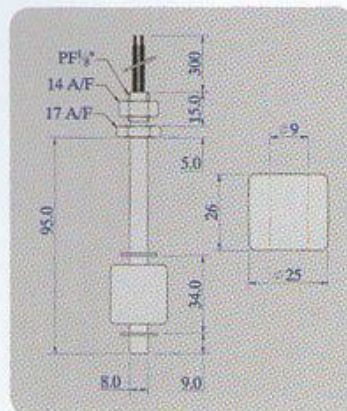
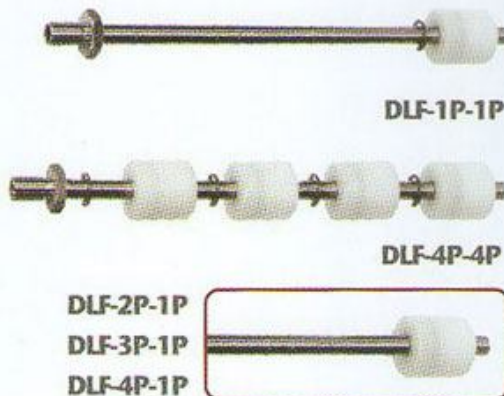
* In case of use AC voltage, a safety circuit is required.



DLF-□P-□P

- CONTACT TYPE : SPST (REED SWITCH)
- PROCESS TEMP. : A.M.B
- CONTACT RATING : AC 220V / 1A
- MATERIAL
 - STEM : Stainless Steel (304, 316)
 - FLOAT : P.P
 - E-RING : Stainless Steel (304, 316)
- DIMENSION
 - FLOAT : $\phi 25$
 - STEM : $\phi 8$

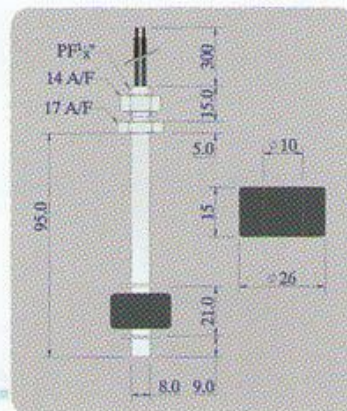
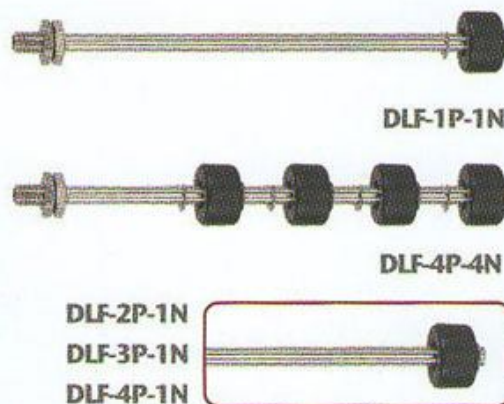
* In case of use AC voltage, a safety circuit is required.



DLF-□P-□N

- CONTACT TYPE : SPST (REED SWITCH)
- PROCESS TEMP. : A.M.B
- CONTACT RATING : AC 220V / 1A
- MATERIAL
 - STEM : Stainless Steel (304, 316)
 - FLOAT : N.B.R
 - E-RING : Stainless Steel (304, 316)
- DIMENSION
 - FLOAT : $\phi 26$
 - STEM : $\phi 8$

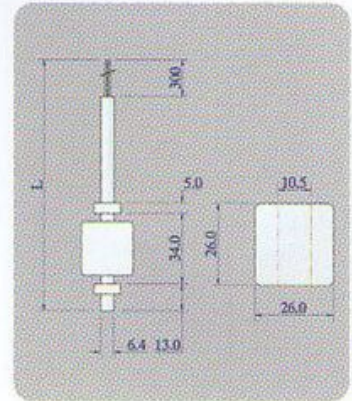
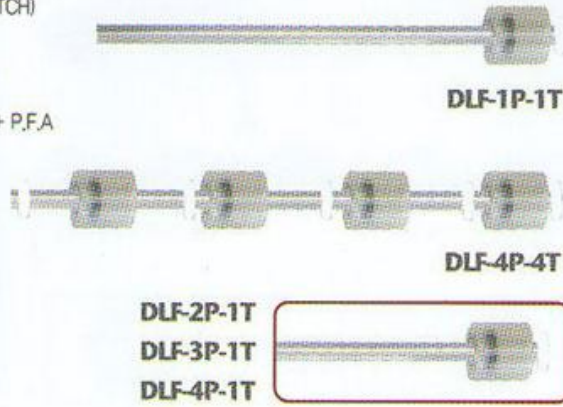
* In case of use AC voltage, a safety circuit is required.



DLF-□P-□T

- CONTACT TYPE : SPST (REED SWITCH)
- PROCESS TEMP. : -40°C to 100°C
- CONTACT RATING : AC 220V / 1A
- MATERIAL
 - STEM : Stainless Steel (304, 316) + P.F.A
 - FLOAT : P.V.D.F
 - E-RING : P.T.F.E
- DIMENSION
 - FLOAT : ϕ 26
 - STEM : ϕ 8

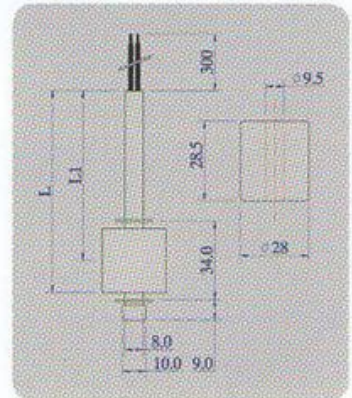
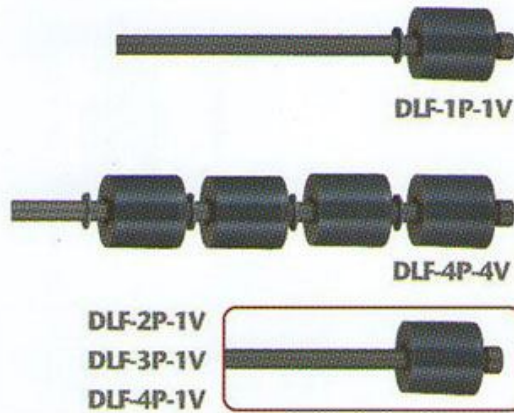
* In case of use AC voltage, a safety circuit is required.



DLF-□P-□V

- CONTACT TYPE : SPST (REED SWITCH)
- PROCESS TEMP. : A.M.B
- CONTACT RATING : AC 220V / 1A
- MATERIAL
 - STEM : P.V.C
 - FLOAT : P.V.C
 - E-RING : P.V.C
- DIMENSION
 - FLOAT : ϕ 28
 - STEM : ϕ 8

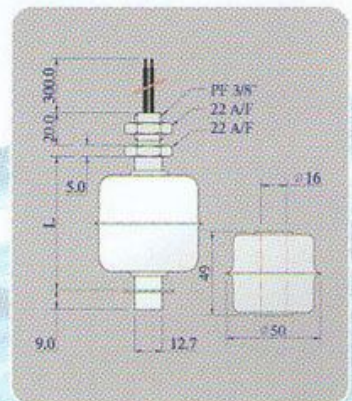
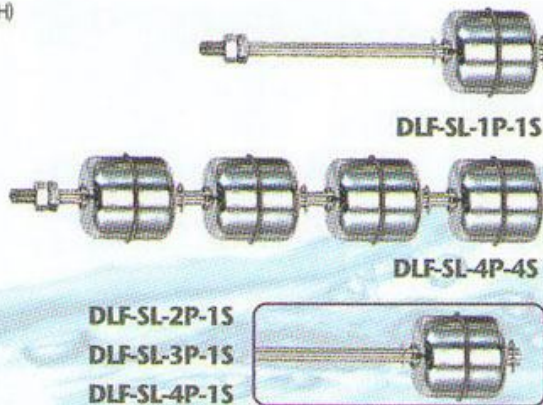
* In case of use AC voltage, a safety circuit is required.



DLF-SL-□P-□S

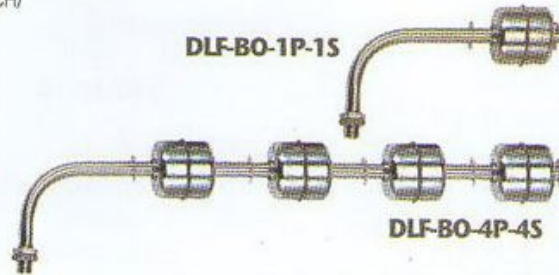
- CONTACT TYPE : SPST (REED SWITCH)
- PROCESS TEMP. : -40°C to 100°C
- CONTACT RATING : AC 220V / 1A
- MATERIAL
 - STEM : Stainless Steel (304, 316)
 - FLOAT : Stainless Steel (304, 316)
 - E-RING : Stainless Steel (304, 316)
- DIMENSION
 - FLOAT : ϕ 50
 - STEM : ϕ 12.7

* In case of use AC voltage, a safety circuit is required.

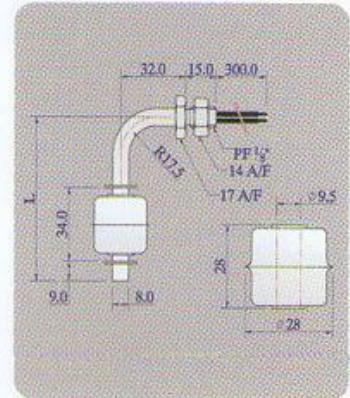


DLF-BO-□P-□S

- CONTACT TYPE : SPST (REED SWITCH)
- PROCESS TEMP. : -40°C to 100°C
- CONTACT RATING : AC 220V / 1A
- MATERIAL
 - STEM : Stainless Steel (304, 316)
 - FLOAT : Stainless Steel (304, 316)
 - E-RING : Stainless Steel (304, 316)
- DIMENSION
 - FLOAT : $\phi 28$
 - STEM : $\phi 8$

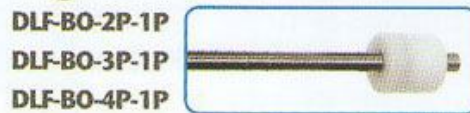
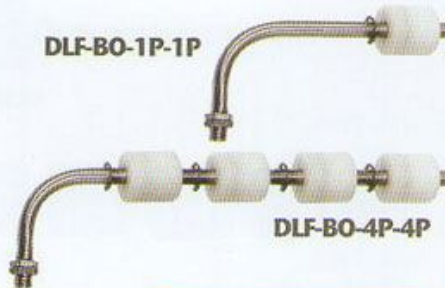


* In case of use AC voltage, a safety circuit is required.

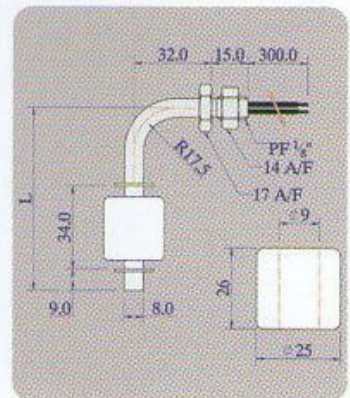


DLF-BO-□P-□P

- CONTACT TYPE : SPST (REED SWITCH)
- PROCESS TEMP. : A,M,B
- CONTACT RATING : AC 220V / 1A
- MATERIAL
 - STEM : Stainless Steel (304, 316)
 - FLOAT : P,P
 - E-RING : Stainless Steel (304, 316)
- DIMENSION
 - FLOAT : $\phi 25$
 - STEM : $\phi 8$

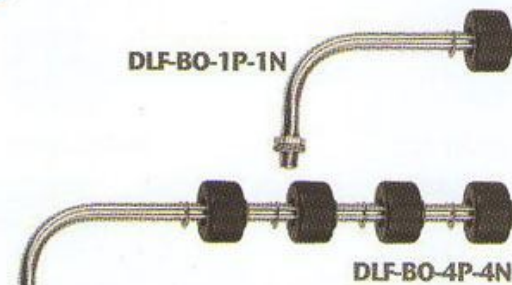


* In case of use AC voltage, a safety circuit is required.

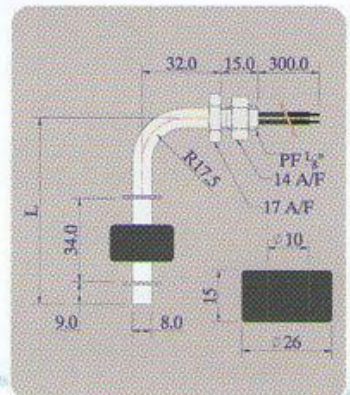


DLF-BO-□P-□N

- CONTACT TYPE : SPST (REED SWITCH)
- PROCESS TEMP. : A,M,B
- CONTACT RATING : AC 220V / 1A
- MATERIAL
 - STEM : Stainless Steel (304, 316)
 - FLOAT : N,B,R
 - E-RING : Stainless Steel (304, 316)
- DIMENSION
 - FLOAT : $\phi 26$
 - STEM : $\phi 8$



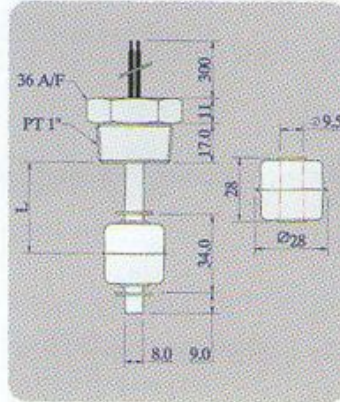
* In case of use AC voltage, a safety circuit is required.



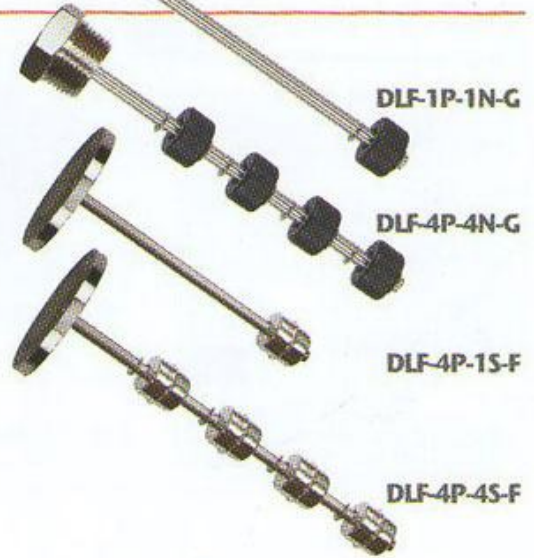
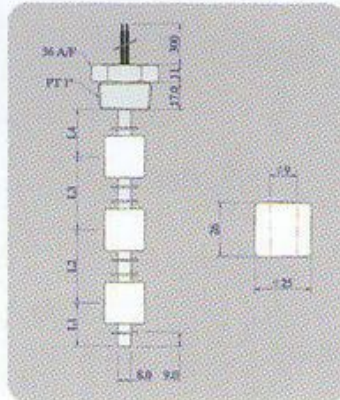
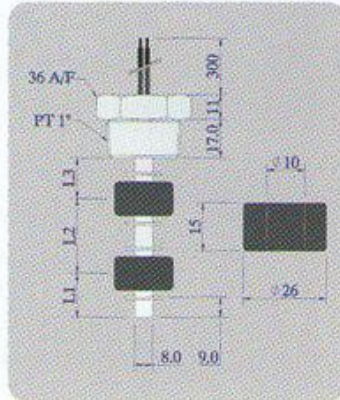
DLF-□P-□S-G

- CONTACT TYPE : SPST (REED SWITCH)
- PROCESS TEMP. : -40°C to 100°C
- CONTACT RATING : AC 220V / 1A
- MATERIAL
 - STEM : Stainless Steel (304, 316)
 - SOCKET : Stainless Steel (304, 316)
 - FLANGE : Stainless Steel (304, 316)
 - FLOAT : SUS304/316, P.P, N.B.R, TEFLON
 - E-RING : Stainless Steel (304, 316)

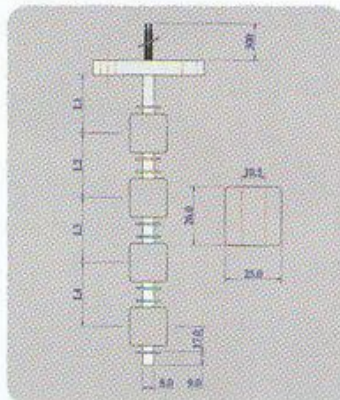
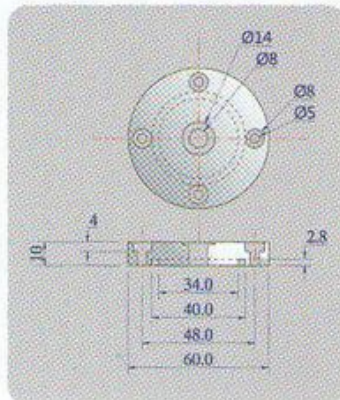
* In case of use AC voltage, a safety circuit is required.



DLF-2P-2N-G | DLF-3P-3P-G



FLANGE | DLF-4P-4T-F



DLF-1 / DLF-3

- CONTACT TYPE : SPST (REED SWITCH)
- PROCESS TEMP.
DLF-1 : -40°C to 100°C
DLF-3 : A.M.B

- CONTACT RATING : AC 220V / 1A
- MATERIAL

DLF-1

- STEM : Stainless Steel (304, 316)
- FLOAT : Stainless Steel (304, 316)

DLF-3

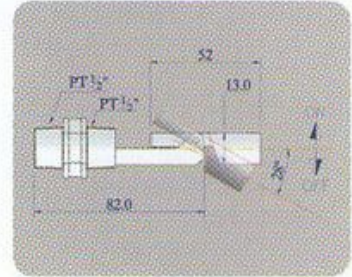
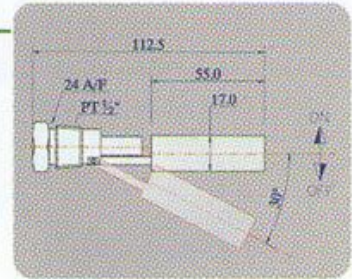
- STEM : P.P
- FLOAT : P.P



DLF-1



DLF-3



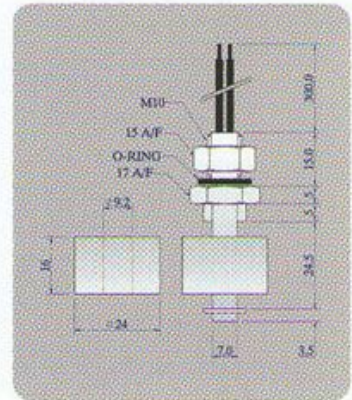
* In case of use AC voltage, a safety circuit is required.

DLF-103

- CONTACT TYPE : SPST (REED SWITCH)
- PROCESS TEMP. : A.M.B
- CONTACT RATING : AC 220V / 0.5A
- MATERIAL
 - STEM : P.P
 - FLOAT : P.P
 - E-RING : P.P
- DIMENSION
 - FLOAT : ϕ 24
 - STEM : ϕ 7



* In case of use AC voltage, a safety circuit is required.



DLF-303

- CONTACT TYPE : SPST (REED SWITCH)
- PROCESS TEMP. : A.M.B
- CONTACT RATING : AC 220V / 0.5A
- MATERIAL
 - STEM : P.P
 - FLOAT : P.P
 - E-RING : P.P
- DIMENSION
 - FLOAT : ϕ 24
 - STEM : ϕ 7



* In case of use AC voltage, a safety circuit is required.

